

## Fluxo Classic Hand Dryer

Code: **HD 3CS**

**Operation:** equipped with automatic infrared sensor does not require contact with your hands.

**Materials:** stainless steel case with satin finish.

**Technical Specifications:** With the advanced infrared reception technology and chip control technology, performance of the machine is more stable and more control precision.

Drying time: 17 sec.

Total rated power: 2.300 W

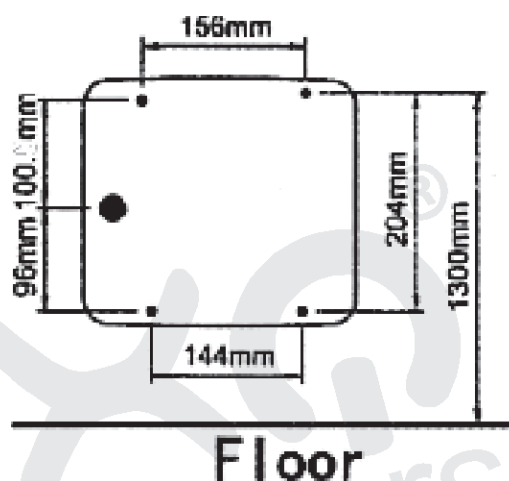
Temperature of hot air: 45°C-60°C

Voltage: 220-240 V

Safety class: IPX1

Airspeed: 30 m/s

Dimensions: 24 x 27 x 21 cm



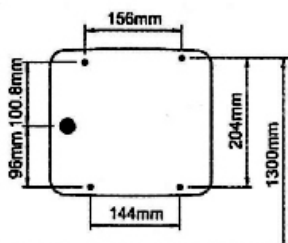
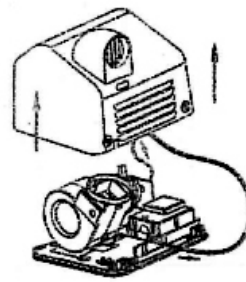
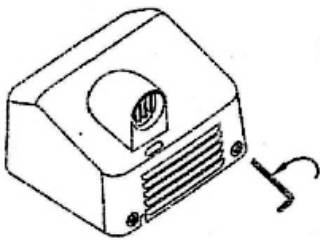
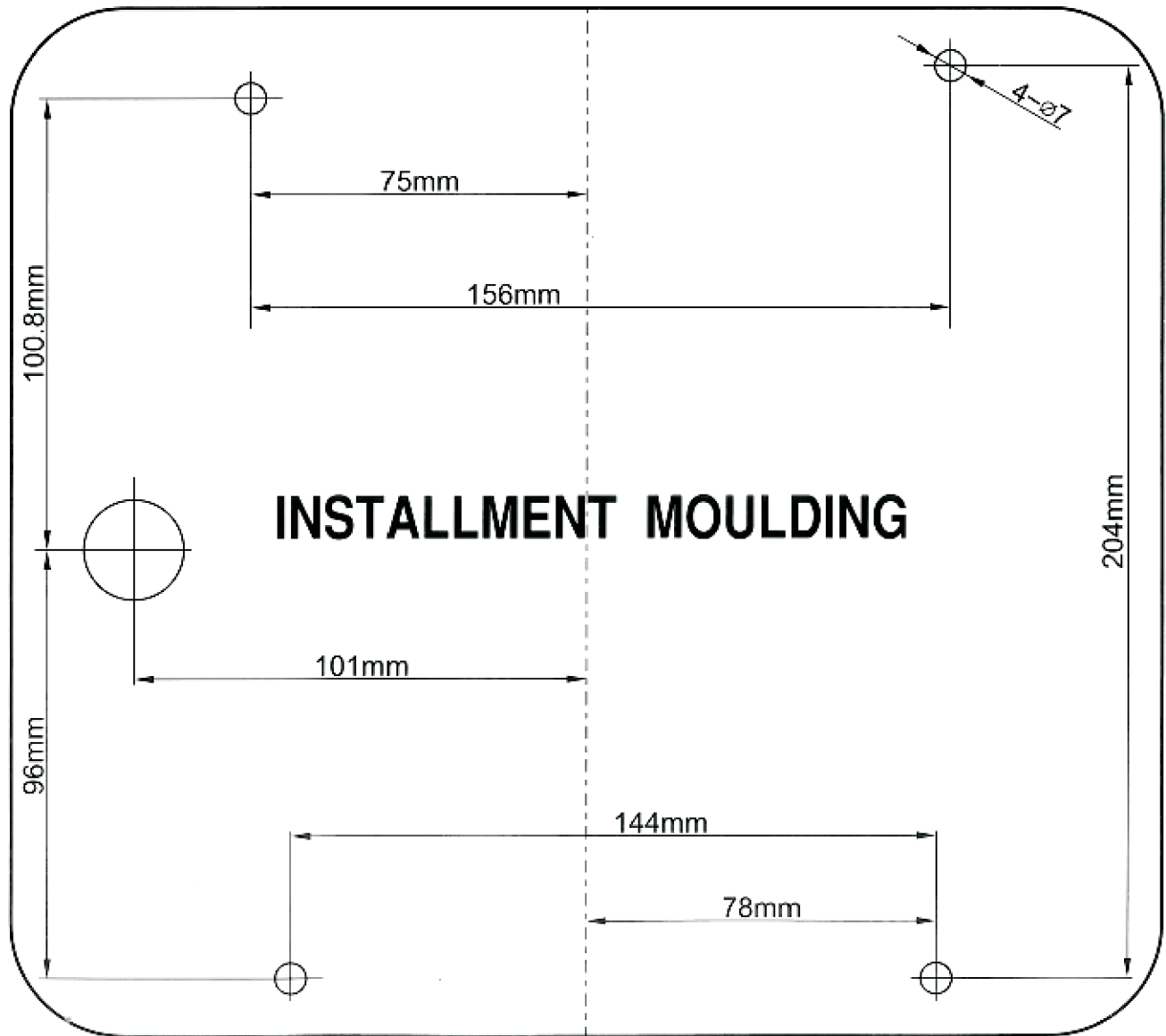
**Installation and setup:** Drill 4 holes in the wall and bury the expansion tube into the hole. Screw out the 2 hexagon socket head cap screw of the shell with the hexagon wrench enclosed with the machine, and then discharge the shell. Fix the holder to the wall with the fixing screw enclosed with the machine and then connect the holder with the sensor lead wire and the shell sensor lead wire. Hang the shell above the holder and press tightly the bottom of the holder. The distance shall be around 110 cm from the ground.

Product manufactured in accordance with quality, safety and environmental protection of the EC.

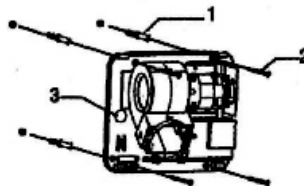
**CE** certification approved.

Fluxo is a registered trade mark of Higiene Lacroix - Romania. Higiene Lacroix reserves the right to make changes and/or modifications to the products and their specifications without prior notice.





**Floor**



1. Inflation screw (accessory)
2. Fixed screw (accessory)
3. Power cord connection inside

