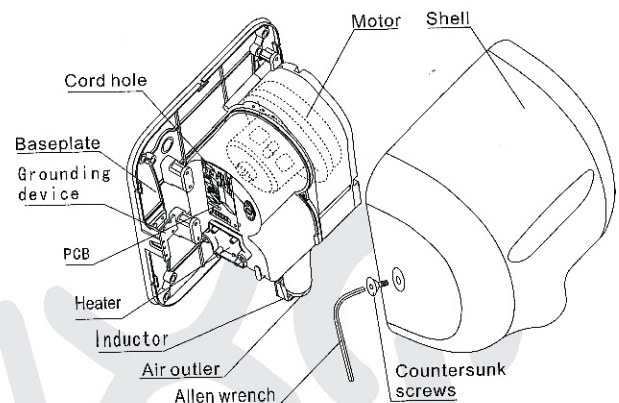


**Fluxo PowerFlow Hand Dryer**  
Code: **HD 3PL**

**Operation:** equipped with automatic heating system.

**Materials:** stainless steel case with bright finish.

**Technical Specifications:** Auto-stop function, the built-in timer will stop the unit after 40 seconds.  
Drying time: 12 sec.  
Sensing distance: 6-15 cm  
Total rated power: 1.650 W  
Heating power: 800-950 W  
Voltage: 220-240 V  
Safety class: IPX1  
Airspeed: 60 m/s  
Dimensions: 29 x 17 x 32 cm



**Installation and setup:** Install above the right side of dryer 2 hole standard outlet corresponds to hand dryer. The distance should be 20-50cm. Please embed junction box without cover in the installation location when directly connecting power cord is needed. The machine needs to be fixed on the wall by screws. Poking the thread hole of junction box by screw drivers, wire drawn out through thread hole to the terminal blocks to connect. The wire length should exceed 2 cm to terminal block.

Product manufactured in accordance with quality, safety and environmental protection of the EC.

**CE** certification approved.

Fluxo is a registered trade mark of Higiene Lacroix - Romania. Higiene Lacroix reserves the right to make changes and/or modifications to the products and their specifications without prior notice.



# FLUXO<sup>®</sup> dryers

