

Fluxo DryAR Hand Dryer
Code: **HD 3FD**

Operation: sensor activated hand dryer 3 in 1.

Materials: chrome plated steel case.

Technical Specifications: The hand dryer will automatically switch off after 50 sec. The ion generator provides fresh and clean air during use.

Drying time: 14 sec.

Sensing distance: 12±3 cm

Noise level: 90-95 dBA

Total rated power: 1.250 W

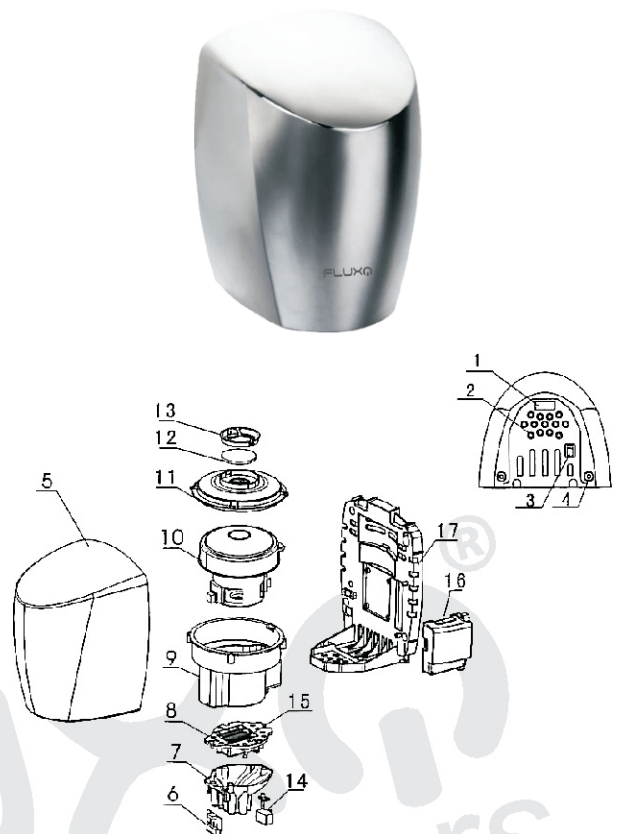
Motor power: 550 W

Warm air temperature: 40°C±10°C

Voltage: 220 V

Airspeed: 80 m/s

Dimensions: 21 x 18 x 27 cm



Installation and setup: There must be a minimum of 1.1 m. allowance from the floor to the base of the hand dryer. Do not mount the hand dryer over a shiny surface as it will activate the sensor. Drill 4 holes in the wall, and then place the raw plugs in the holes. Loosen the screws from the hand dryer and remove the cover. Position the unit upon the template and secure with the 4 screws. Replace the cover and secure.

Product manufactured in accordance with quality, safety and environmental protection of the EC.

CE certification approved.

Fluxo is a registered trade mark of Higiene Lacroix - Romania. Higiene Lacroix reserves the right to make changes and/or modifications to the products and their specifications without prior notice.



