

**Fluxo dual jet Stell'Air Hand Dryer**

Code: **HDJ1 SX**

**Operation:** equipped with automatic sensor.

**Materials:** ABS grey plastic.

**Technical Specifications:** The hand dryer it is equipped with 2 antibacterial air filters that are readily accessible for easy cleaning.

Drying time: 12 sec.

Noise level: 75 dBA

Total rated power: 1.200 W

Voltage: 220-240 V

Airspeed: 167 m/s

Capacity of the tank: 1.500 ml

Safety class: II IP44

Weight: 6 kg

Dimensions: 53 x 34 x 26 cm



**Installation and setup:** Mount the wall support at the height of 68-74 cm. Provide a wall cable outlet that is adapted to the height of the appliance, and then prepare the attachment holes in the lower part of the appliance. Press the power supply cable through the hole and towards the front. Mount the appliance on the support plate and secure the base of the product. Install and tighten the cable clamp, and connect the 2 power supply wires to the terminal strip. At the end, install the cover and the tank.

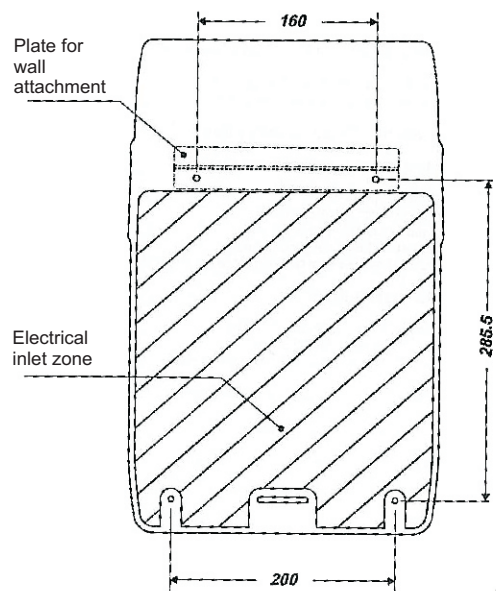
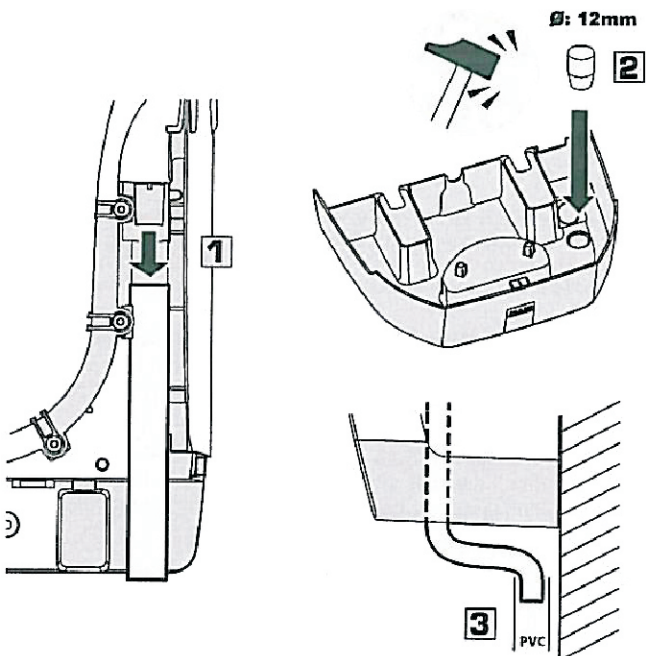
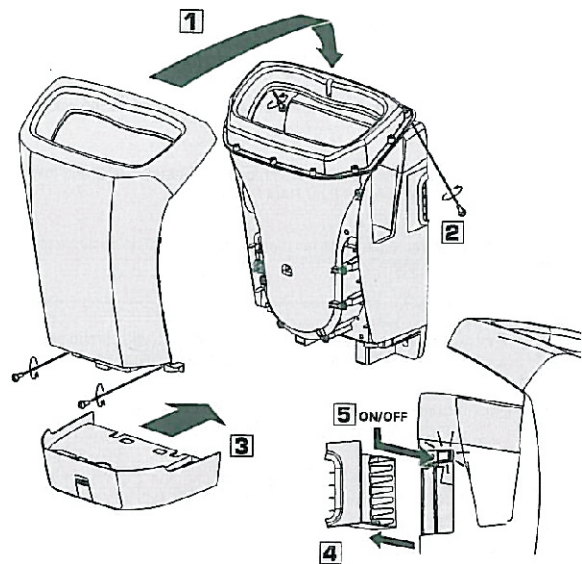
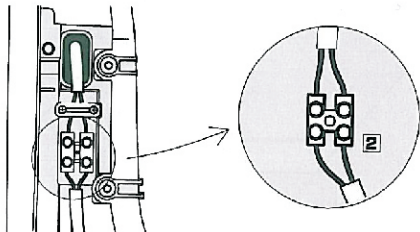
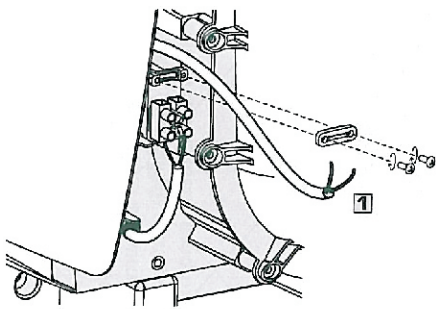
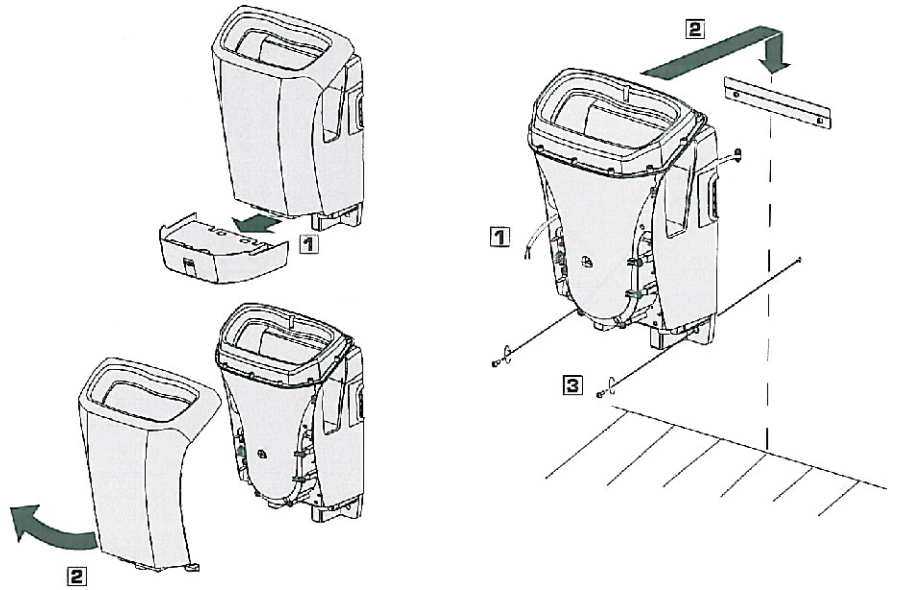
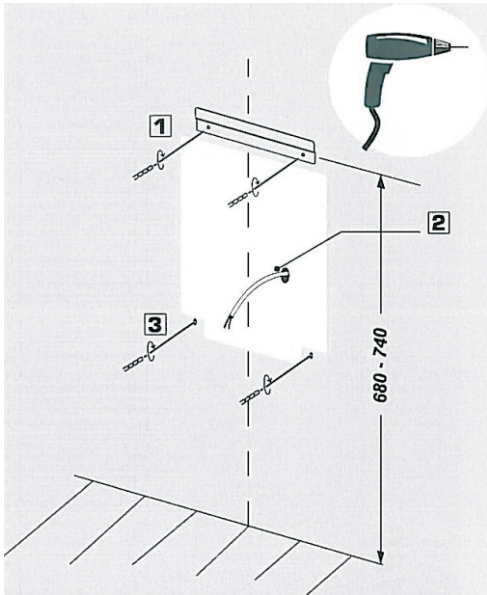
Product manufactured in accordance with quality, safety and environmental protection of the EC.

**CE** certification approved.

Fluxo is a registered trade mark of Higiene Lacroix - Romania. Higiene Lacroix reserves the right to make changes and/or modifications to the products and their specifications without prior notice.



# FLUXO<sup>®</sup> dryers



Scale 1/5