

Floor access cover system PRO+

Stainless steel

ProfessionalLine+

NEW

Product description:

The floor access cover system PRO+ is made of 2 mm stainless steel. The tray depth is 50 mm and the structural height amounts to 75 mm only. The frame is equipped with a circumferential, frost- and weather-resistant special sealing joint, which is largely odor- and water-tight. The frame is set in concrete on grade. Subsequently, the tray can be filled and inserted into the frame. The cover is fixed on the frame on the 4 corner points. The cover can be lifted out on these points with the lifting key. The tray can be filled with paving, tiles, concrete, artificial resin, granite, terrazzo tiles, wood and hard floor covering or other materials.

Load:

- Up to 125 kN testing force according to EN 124 (class B125)

Material:

- Frame and tray made of 2 mm stainless steel

Areas of use:

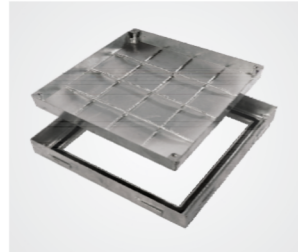
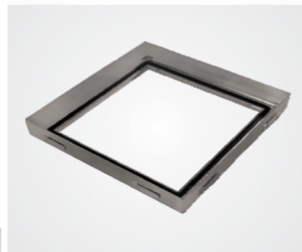
For on grade manholes in indoor and outdoor areas



Stainless steel

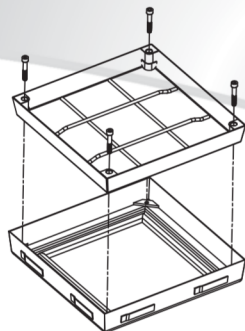
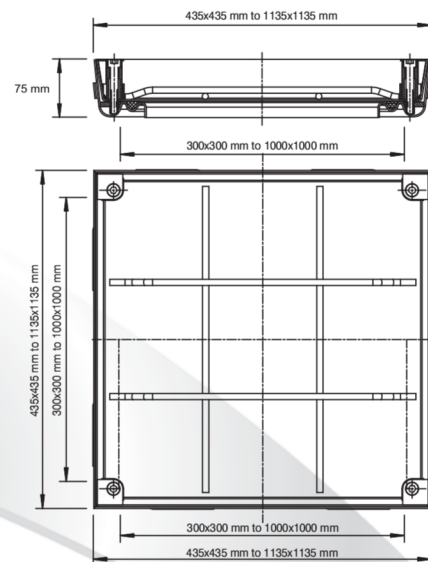


System PRO+



Item no.	Overall frame size	Clear opening
PRO+300300E75	435 x 435 mm	300 x 300 mm
PRO+400400E75	535 x 535 mm	400 x 400 mm
PRO+500500E75	635 x 635 mm	500 x 500 mm
PRO+600600E75	735 x 735 mm	600 x 600 mm
PRO+700700E75	835 x 835 mm	700 x 700 mm
PRO+800800E75	935 x 935 mm	800 x 800 mm
PRO+10001000E75	1135 x 1135 mm	1000 x 1000 mm

Height 75 mm



Opening: A lifting key and installation instructions are included with every FF floor access cover.

Installation:

The installation shall be implemented in a professional manner in accordance with our installation instructions. With types with special sealing joint, a tight connection to the frame profile is to be ensured.

Special benefits of our system

- With frost- and weather-resistant special sealing joint
- With fixing anchors for safe support
- Almost invisible in the installed state
- The tray depth amounts to 50 mm
- With additional reinforcement cross-braces
- Can be easily opened due to the conic construction method

FF Systembau
Access Covers