

EN-HSP Series

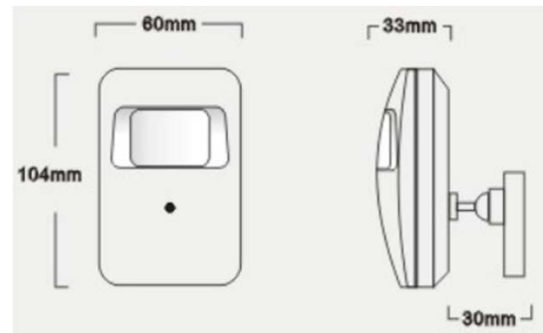


Features

- ◆ PIR Spy Camera
- ◆ SONY / SHARP Color CCD
- ◆ Easy For Installation
- ◆ Built-in 3.7mm Taper Pinhole Lens



Size Chart



Specifications

Model Name	EN-HSP-38	EN-HSP-36	EN-HSP-32	EN-HSP-82
Image Device	1/3 SONY	1/3 SHARP	1/3 SONY	1/4 SHARP
Resolution	540 TVL	500 TVL	420 TVL	420 TVL
Picture Elements	PAL:795(H)×596(V) NTSC:811(H)×508(V)	PAL:752(H)×582(V); NTSC:768(H)×494(V)	PAL:500(H)×582(V); NTSC:510(H)×492(V)	
Min. Illumination	0.2 Lux /F2.0	0.8 Lux /F2.0	1.0 Lux /F2.0	
TV System	PAL/NTSC			
Lens Furnished	3.7mm Taper Pinhole Lens			
S/N Ratio	More than 48dB			
Electronic Shutter	NTSC:1/60~1/100,000, PAL:1/50~1/110,000			
Gamma	0.45			
White Balance	Auto			
Gain Control	Auto			
Sync. System	Internal			
Video Output	1 Vp-p / 75 Ohms			
Power Supply	DC12V±10%			
Operation Temperature	-10°C ~ +50°C RH95% Max			
Dimension	104 x 60 x 33 mm			
Weight	200g			

Design and specifications are subject to change without notice.